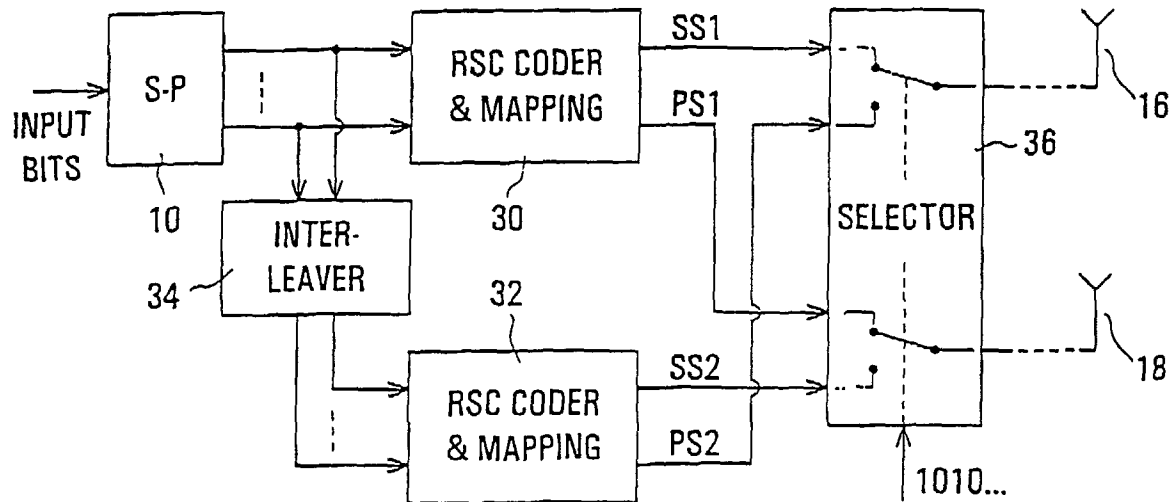




(86) Date de dépôt PCT/PCT Filing Date: 2000/11/22
 (87) Date publication PCT/PCT Publication Date: 2002/05/30
 (85) Entrée phase nationale/National Entry: 2003/05/21
 (86) N° demande PCT/PCT Application No.: RU 2000/000475
 (87) N° publication PCT/PCT Publication No.: 2002/043314

(51) Cl.Int.⁷/Int.Cl.⁷ H04L 1/00, H04L 1/06
 (71) Demandeur/Applicant:
NORTEL NETWORKS LIMITED, CA
 (72) Inventeurs/Inventors:
JIA, MING, CA;
SHINAKOV, YURI S., RU;
CHLOMA, ALEXANDRE M., RU;
BAKOULINE, MIKHAIL G., RU;
KREINDELIN, VITALI B., RU;
WANG, RUI R. (DECEASED), CA
 (74) Agent: SMART & BIGGAR

(54) Titre : PROCÉDE ET DISPOSITIF DE TURBOCODAGE EN TREILLIS SPATIO-TEMPOREL
 (54) Title: METHODS AND APPARATUS FOR TURBO SPACE-TIME TRELLIS CODING



(57) Abrégé/Abstract:

Space-time diversity using a plurality of transmit antennas (16, 18) is provided with a turbo coding arrangement comprising two recursive systematic convolutional coders (30, 32), to one of which input bits are supplied directly and to the other of which the information bits are supplied after interleaving (34) of bit groups for respective symbol intervals. Symbols produced by the coders and comprising systematic and parity information are supplied to paths to the antennas alternately in successive symbol intervals to provide the space-time diversity. Arrangements are described for 2 and 4 antennas and for various convolutional codes, and an iterative decoder is also described.